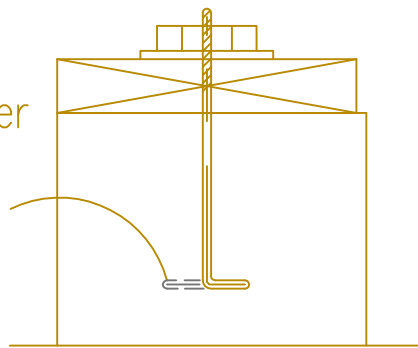


1/2" | 0x LENGTH

THREADED
TOP of ROD
BEND on every other
BOLT to face in
opposite direction
2 1/2" BEND



ANCHOR BOLT

- ANCHOR BOLTS SHALL BE PLACED
- AT 6' o.c. MAX.
 - AT NOT MORE THAN 12" FROM CORNERS or END of SILL PLATE.
 - 7" MIN. INTO CONCRETE &
 - 15" MIN. INTO MASONRY
(Grout solid cells with anchor bolts)
 - NOT LESS THAN 2 ABs per PLATE
- SILL PLATES to be PRESSURE TREATED.

ANCHOR BOLT

